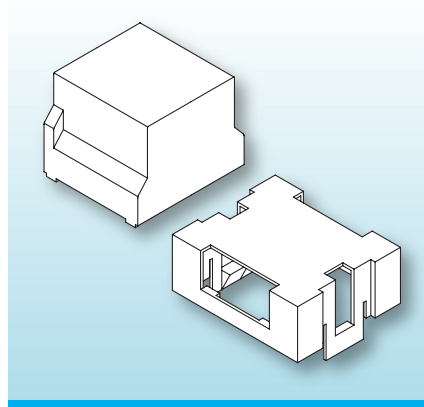


## Snap-on Potting Boxes FVG

The Snap-on Potting Boxes are made in gr Polyamide PA66 of type A RV250 nat. (RTI long-range temperature +100° C). They are assembled with the wound coilformer and the pair of ferrite cores. "Noses" at the inside of the boxes ensure correct positioning and pressure on the ferrite cores.



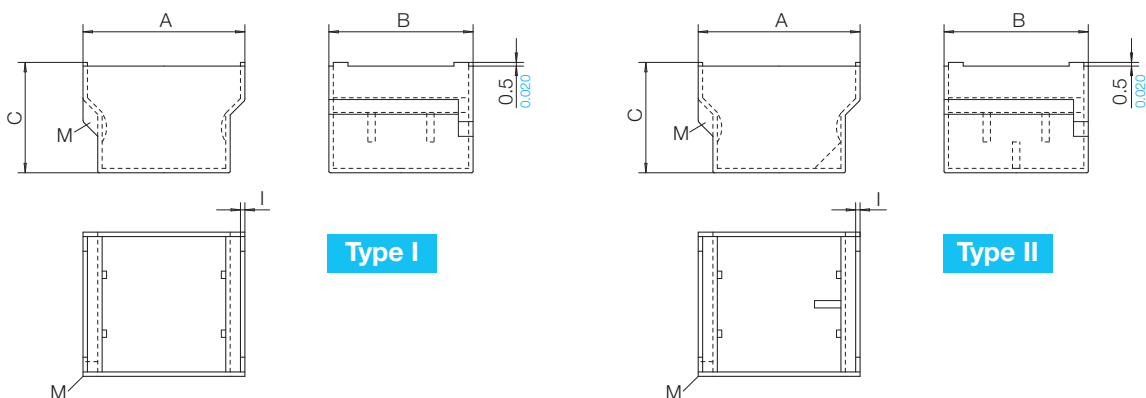
## Snap-on Caps FG

The Snap-on Caps are made in gr Polyamide PA66 of type eg7 (RTI long-range temperature +120° C). The spring action snap-on caps allow quick assembly of the coil-formers and the ferrite cores in their correct positioning. "Noses" at the inside ensure safe pressure onto the cores. The caps have openings at the sides which allows additional glueing if required.

When ordering please quote type and order-code.

Type I	Order-Code		A	B	C	I
EE 8/FVG/A RV250 nat.	N0117-106	on request	11.6 0.457	10.6 0.417	9.5 0.374	0.5 0.020
EE 10/FVG/A RV250 nat.	N0118-106	on request	14.0 0.551	12.4 0.488	10.5 0.413	0.5 0.020
EE 12.6/FVG/A RV250 nat.	93189-106		18.6 0.732	15.6 0.614	13.2 0.520	0.5 0.020
EE 16/FVG/A RV250 nat.	93190-106		22.0 0.866	19.4 0.764	15.0 0.591	0.5 0.020
EE 20/FVG/A RV250 nat.	93191-106		24.0 0.945	23.6 0.929	18.0 0.709	0.5 0.020

Type II	Order-Code		A	B	C	I
EE 20/FVG/25.0/A RV250 nat.	93192-106		26.0 1.024	22.0 0.866	16.5 0.650	0.5 0.020



© 06/2019 by NORWE GmbH

Warranties:  
refer to Terms and Conditions of Sale

**NORWE GmbH**

Postfach 13 56  
51691 Bergneustadt  
Paulstraße 5, Pernze  
51702 Bergneustadt  
Deutschland

Telefon +49 (0) 27 63-807-0  
Telefax +49 (0) 27 63-807-77  
E-mail verkauf@norwe.de  
Internet www.norwe.de  
www.norwe.eu

**NORWE Inc.**

P.O. Box 25 11  
North Canton, OH 44720-0511  
United States of America  
Telefon +1-330 497-8113  
Telefax +1-330 305-0592  
E-mail usa@norwe.com  
Internet www.norwe.com

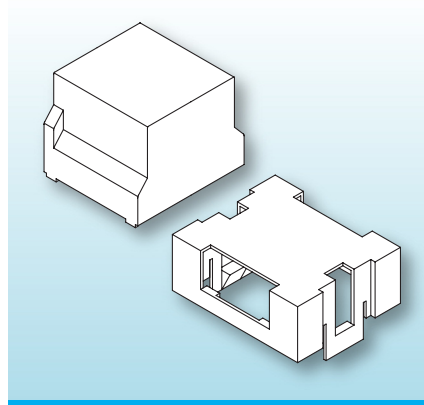


Valid version of  
data sheet online

QR Online-Version

## Snap-on Potting Boxes FVG

The Snap-on Potting Boxes are made in gfr Polyamide PA66 of type A RV250 nat. (RTI long-range temperature +100° C). They are assembled with the wound coilformer and the pair of ferrite cores. "Noses" at the inside of the boxes ensure correct positioning and pressure on the ferrite cores.

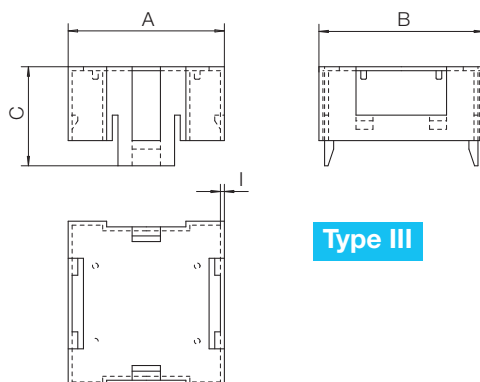


When ordering please quote type and order-code.

## Snap-on Caps FG

The Snap-on Caps are made in gfr Polyamide PA66 of type eg7 (RTI long-range temperature +120° C). The spring action snap-on caps allow quick assembly of the coilformers and the ferrite cores in their correct positioning. "Noses" at the inside ensure safe pressure onto the cores. The caps have openings at the sides which allows additional glueing if required.

Type III	Order-Code		A	B	C	I
EE 12.6/FG/eg7	N0119-010	on request	14.7 0.579	15.7 0.618	10.5 0.413	0.7 0.028
EE 16/FG/eg7	N0120-010	on request	18.6 0.732	19.2 0.756	12.6 0.496	0.7 0.028
EE 20/FG/eg7	N0121-010	on request	22.8 0.898	23.6 0.929	15.2 0.598	0.7 0.028
EE 25/FG/eg7	93183-010		27.6 1.087	29.1 1.146	17.5 0.689	0.7 0.028
M 20/FG/eg7	N0122-010	on request	22.8 0.898	23.6 0.929	15.2 0.598	0.7 0.028
M 30/FG/eg7	93184-010		32.0 1.260	33.8 1.331	18.3 0.720	0.7 0.028



Type III

© 06/2019 by NORWE GmbH

Warranties:  
refer to Terms and Conditions of Sale

**NORWE GmbH**

Postfach 13 56  
51691 Bergneustadt  
Paulstraße 5, Pernze  
51702 Bergneustadt  
Deutschland  
Telefon +49 (0) 27 63-807-0  
Telefax +49 (0) 27 63-807-77  
E-mail verkauf@norwe.de  
Internet www.norwe.de  
www.norwe.eu

**NORWE Inc.**

P.O. Box 25 11  
North Canton, OH 44720-0511  
United States of America  
Telefon +1-330 497-8113  
Telefax +1-330 305-0592  
E-mail usa@norwe.com  
Internet www.norwe.com



Valid version of  
data sheet online

QR Online-Version